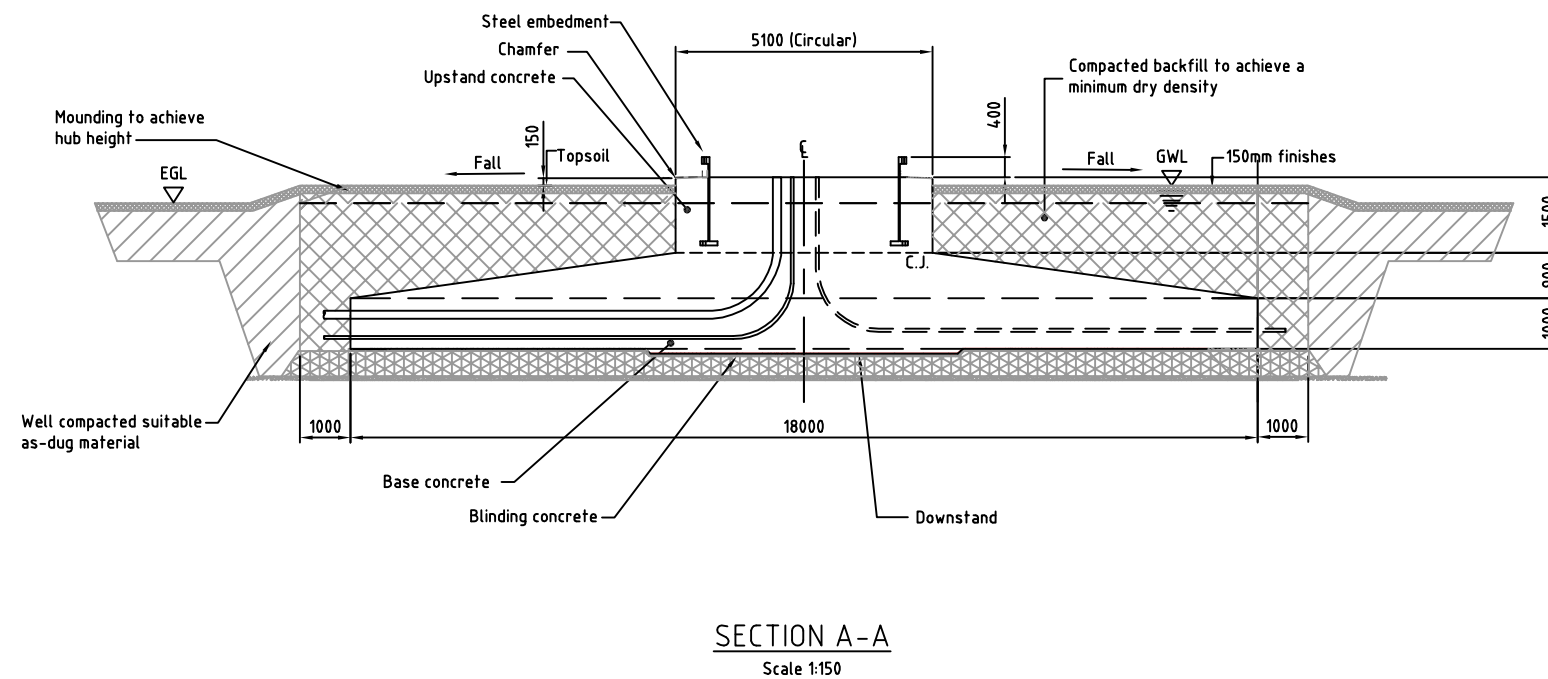
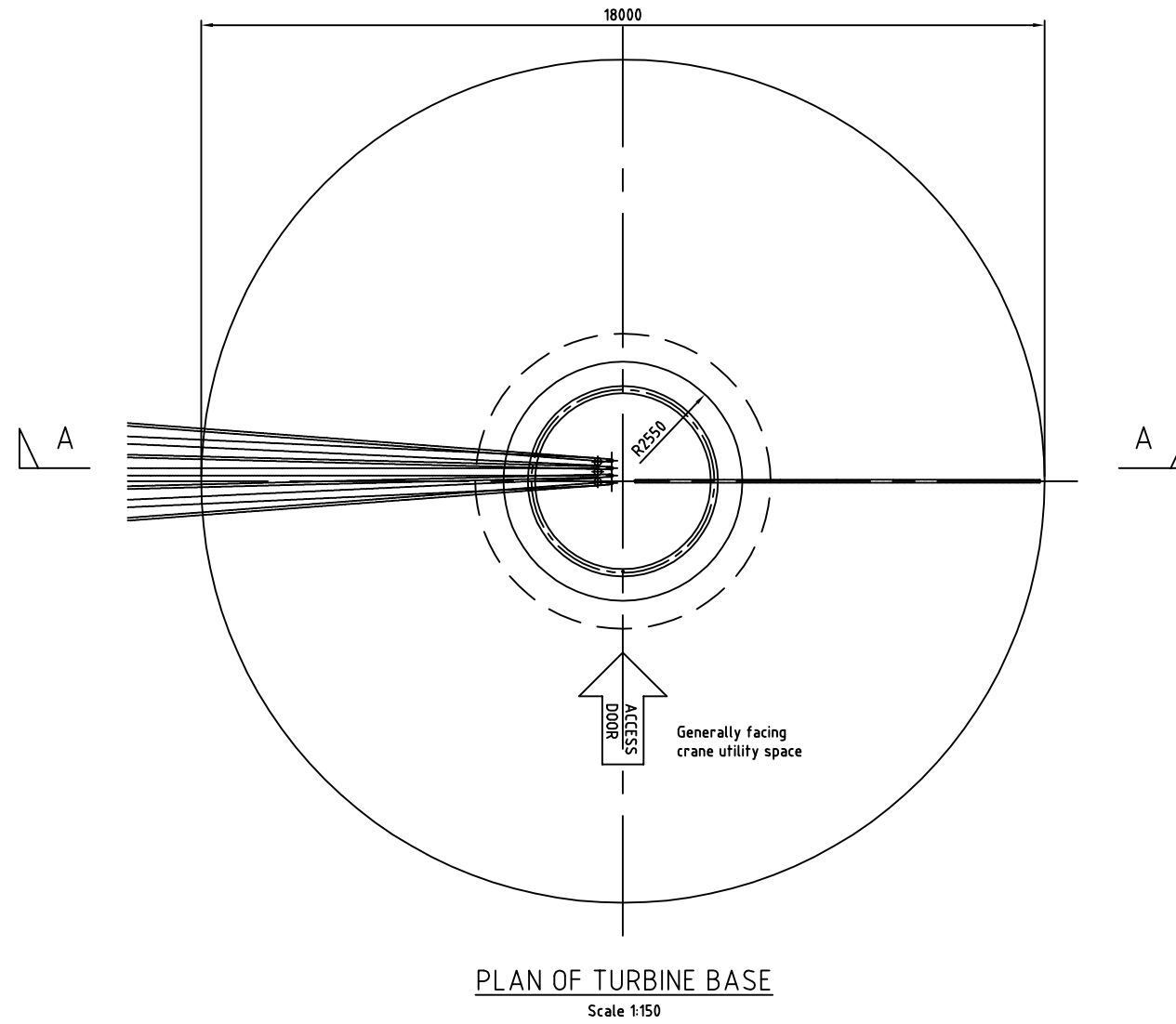


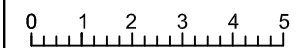
Project:
**Talladh A Bheithe Wind Farm,
 Perth & Kinross**

Title:
**Figure 4.5: Typical Wind Turbine
 Foundation**

Note:
 All dimensions in milimetres unless noted otherwise.



Scale: 1:150 @ A3



Date: 28-05-14 | Prepared by: IW | Checked by: SB

Ref: GB200391_D_004 | Revision: A

Drawing by:
 Natural Power Consultants Ltd.
 The Green House
 Forrest Estate, Dalry
 Castle Douglas, DG7 3XS, UK
 Tel: +44 (0) 1644 430008
 Fax: +44 (0) 845 299 1236
 Email: sayhello@naturalpower.com
 www.naturalpower.com

